

4

3

2

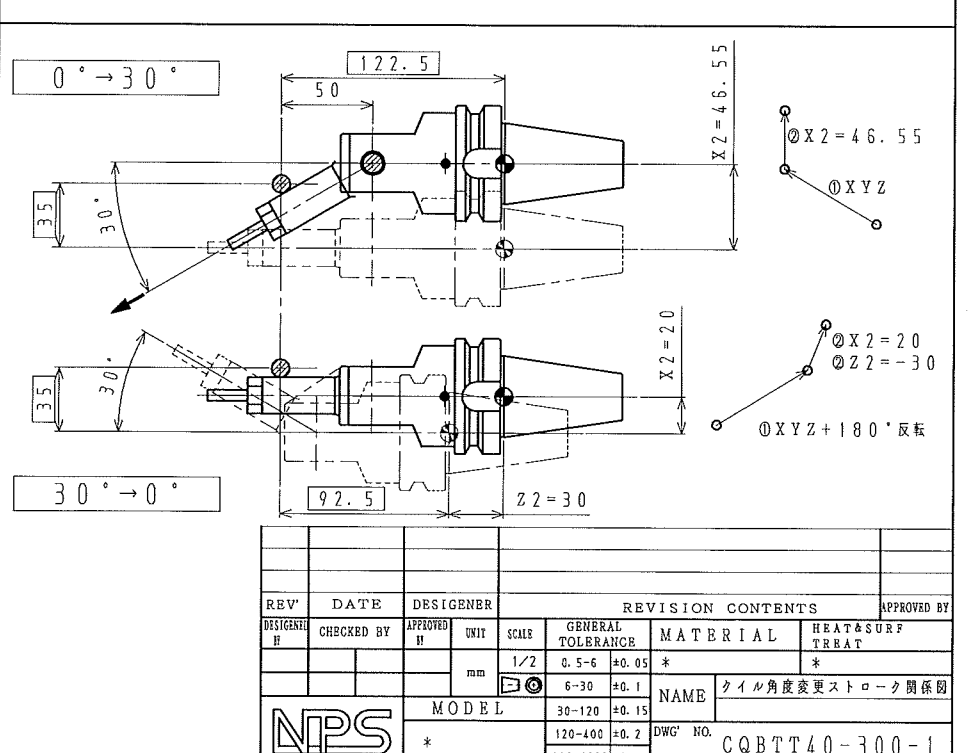
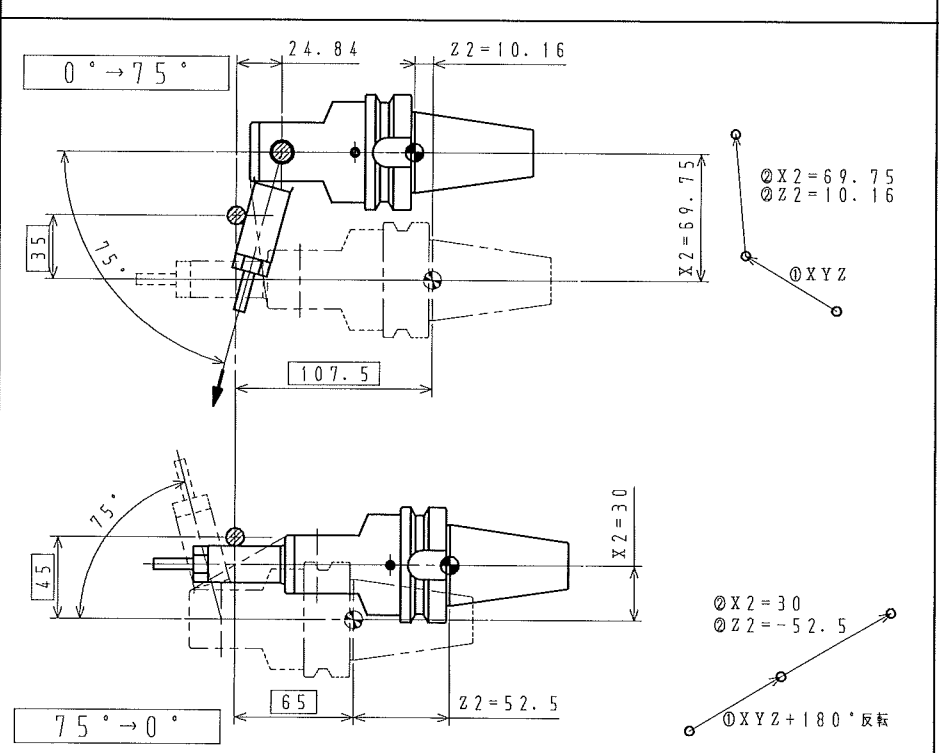
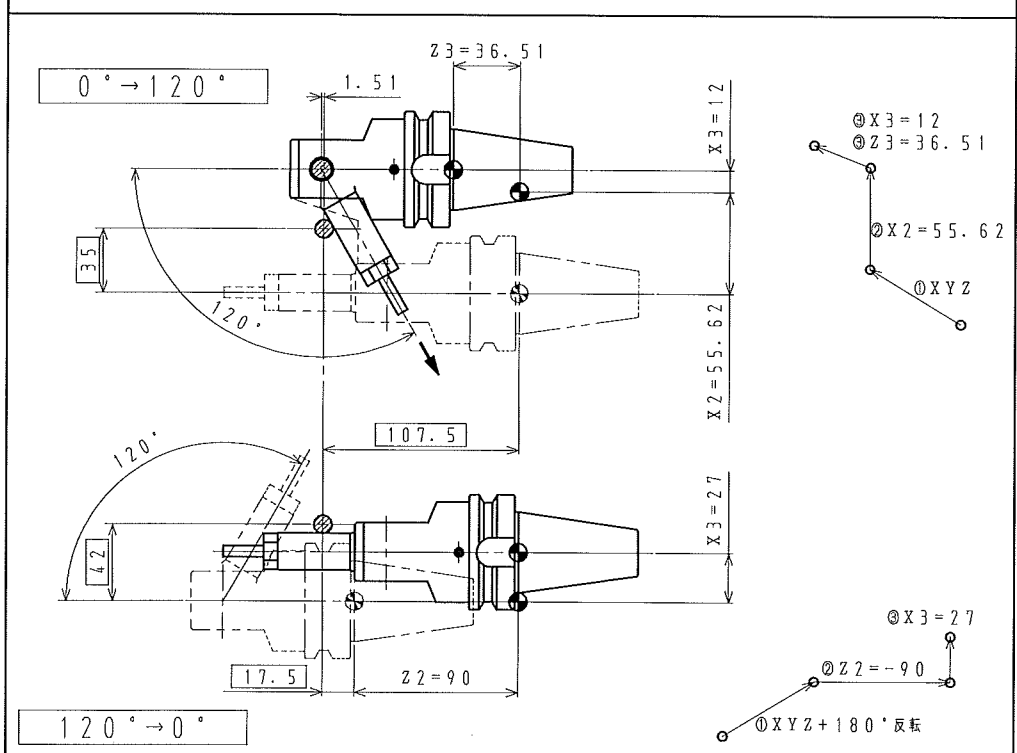
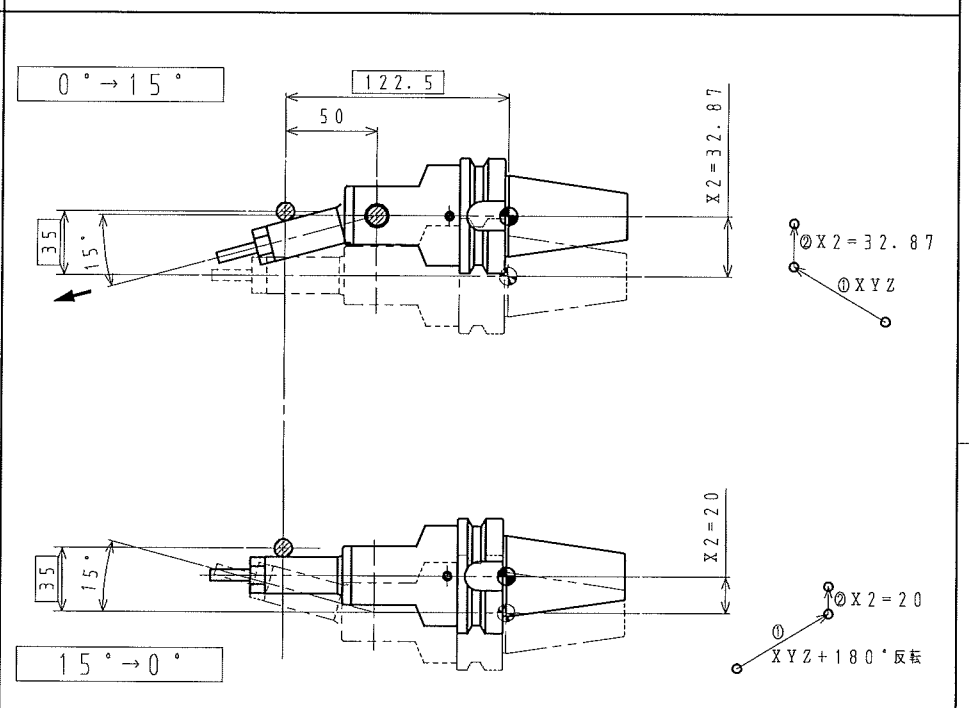
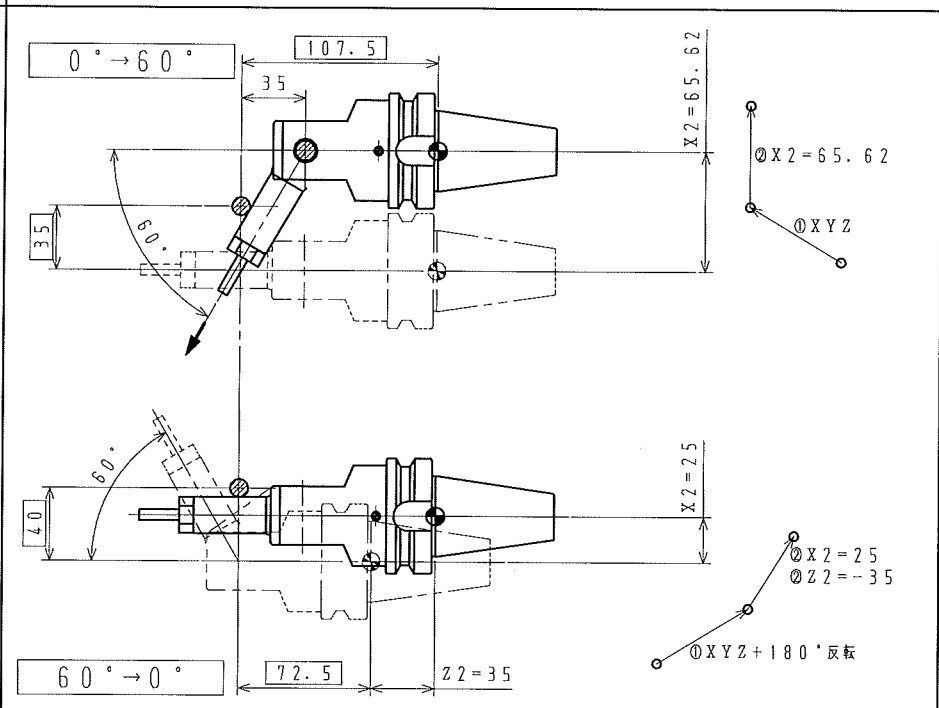
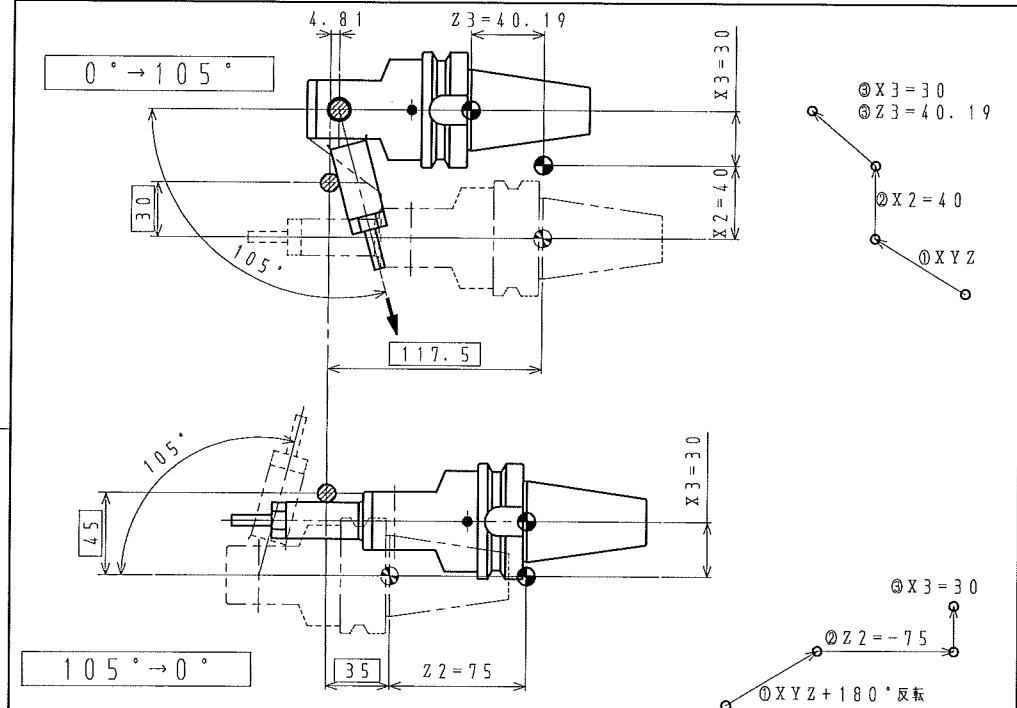
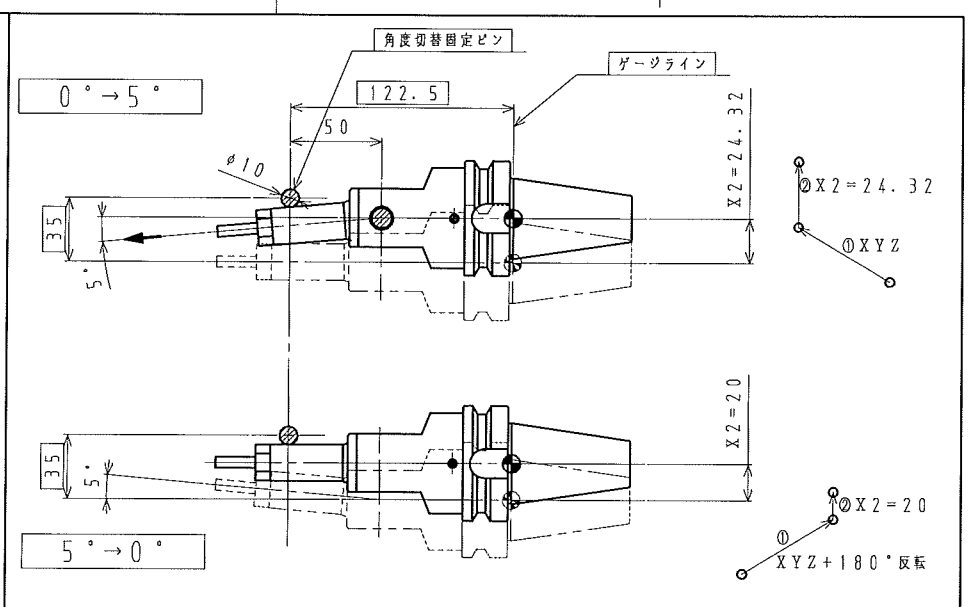
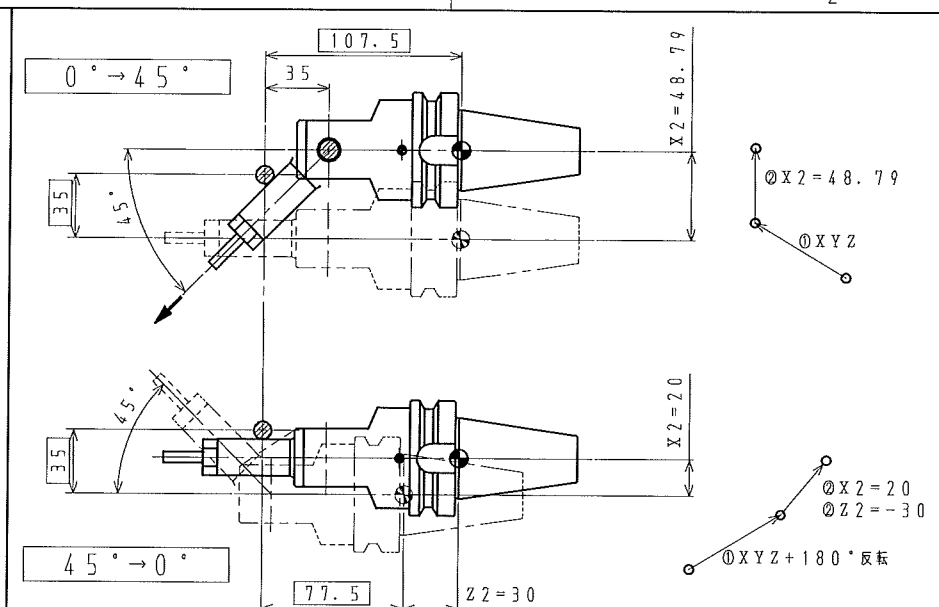
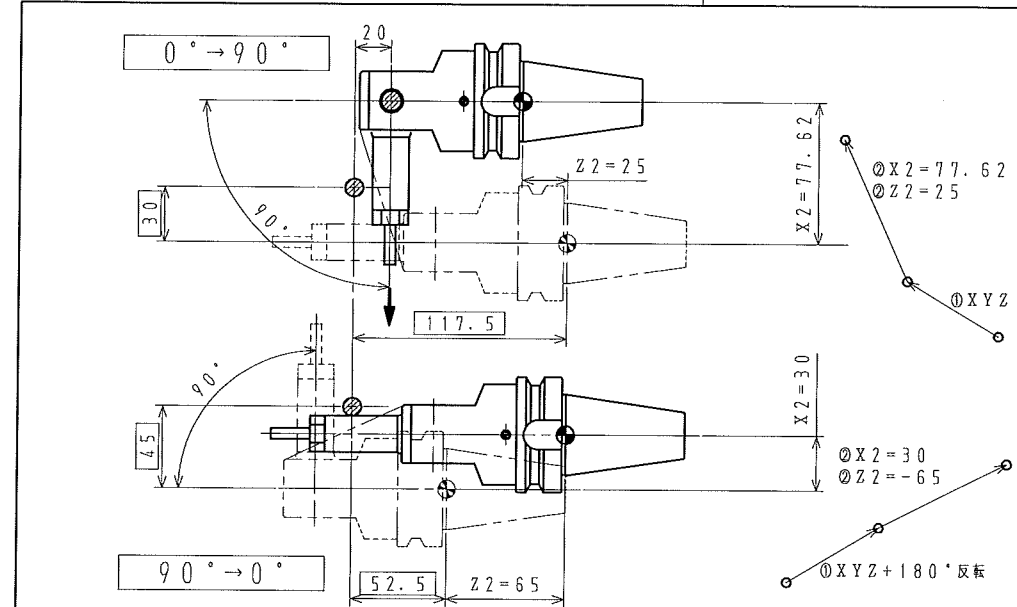
1

B

B

A

A



REV	DATE	DESIGNER	REVISION CONTENTS				APPROVED BY
DESIGNER #	CHECKED BY	APPROVED #	UNIT	SCALE	GENERAL TOLERANCE	MATERIAL	HEAT&SURF TREAT
			mm	1/2	0.5-6 ±0.05	*	*
					6-30 ±0.1	NAME	
					30-120 ±0.15	ダイヤル角度変更ストローク関係図	
					120-400 ±0.2	DWG' NO.	
					400-1000 ±0.3	CQBTT40-300-1	

